

YTPQC Offer

Reactive compensation

400V/50HZ

Low voltage network

www.ytelect.com



General characteristics

Electrical Specifications

Rate voltage	400V(300~456V)
Electric Connection	3 Phase 4 Wire
Rated Frequency	50/60Hz ± 5%
Compensation Mode	Reactive power compensation Harmonic compensation 3 phase imbalance compensation Conventional capacitor switching
Rated Capacity	50kVAr~500kVAr
Filtering Performance	Typically, THDi ≤ 5% at rated load (Even with most complex loads).
Reactive Power Compensation Capability	Both inductive and capacitive reactive power compensation
3 Phase Load Balancing Effect	≤ 5%, Mitigate negative and zero sequence
Target Power Factor	The system PF is greater than 0.98 after compensation within the rated capacity.
Full Response time	≤ 5ms
Instant Response time	≤ 50us
Thermal Loss	≤ 2.5% of SVG rated capacity (kVA)
Output Current Limitation	Automatic (100% rated capacity)
Capacitor control interface	16 Ways
Capacitor Switching Switch	Thyristor, Contactor

Control Technology

Human Machine Interface (HMI)	7" HMI(Touched&Colorized LCD Screen)
Topology	3 Level IGBT
Communication	Modbus Protocol, RS232/485
Monitoring	YT-HMI 650 Monitor Software

Physical Specification

IP Grade of Cabinet	IP20~60
Cooling method	Intelligent forced air cooling
Noise Level	< 65dB(A) @1m (Module)
Cable Entry	Top or Bottom

Environmental Requirement

Ambient Temperature	-10~50 °C
Relative Humidity	0~95%
Altitude	≤ 1500m Rated Capacity,1500~5000m (derating 1% per 100m)

Environment

- Installation: Indoor/Outdoor
- Ambient temperature:-20~55°C
- Average daily temperature:35°C
- Humidity:95%max

Connection mode

- 3P4W
- 3P3W

Environment certifications

- ISO 9001:2015
- ISO 14001:2015
- CE
- Type Test Report

Due to IGBT's high switching frequency (up to 25.6 kHz), SVG can compensate fast reactive loads while achieving very high compensation accuracy. SVG is currently the best solution in the field of reactive power control.

Options available through page 2



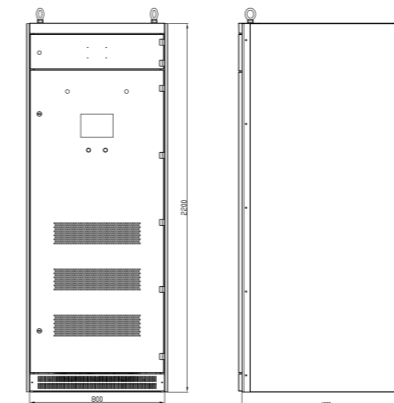
HPFC(CSVG)

Hybrid Power Factor Correction

References

Rated voltage	Phase current	Rated current	Type
220-400-480 VAC	75A	150A	YT-CSVG/100-4-4L-50k
	75A/150A	225A	YT-CSVG/150-4-4L-50k
	150A	300A	YT-CSVG/200-4-4L-50k
	75A/150A	375A	YT-CSVG/250-4-4L-50k
	150A	450A	YT-CSVG/300-4-4L-100k
	150A	600A	YT-CSVG/400-4-4L-100k
	150A	750A	YT-CSVG/500-4-4L-100k

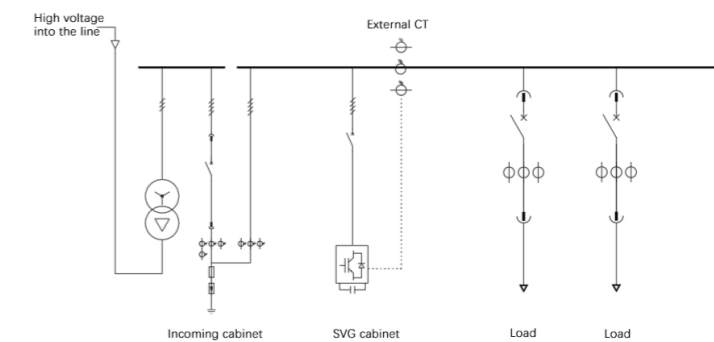
Dimensions



Type	Size (W*D*H)	Net Weight (kg)
CSVG/100-4-4L	800*1000*2200	300
CSVG/150-4-4L	800*1000*2200	330
CSVG/200-4-4L	800*1000*2200	340
CSVG/250-4-4L	800*1000*2200	370
CSVG/300-4-4L	800*1000*2200	380
CSVG/400-4-4L	800*1000*2200	430
CSVG/500-4-4L	800*1000*2200	470

Connections

Pure SVG compensation



SVG+ capacitor hybrid compensation

